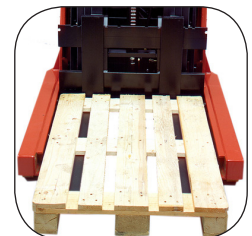


Pedestrian reach stacker truck 1.2 ton

BT staxio

P-series

RWE120



Pedestrian reach stacker

Specification for stacker trucks					RWE120
Identification	1.1	Manufacturer			Toyota
	1.2	Model			RWE120
	1.3	Drive			Electric
	1.4	Operator type			Pedestrian
	1.5	Load capacity/rated load	Q	kg	1200
	1.6	Load centre	c	mm	600
	1.8	Load distance, centre of support arm wheel to face of forks	x	mm	640 ¹⁾
Weight	2.1	Service weight including battery		kg	1575
	2.4	Axle load, mast extended with load, drive/support arm wheel		kg	250/2522
	2.5	Axle load, mast retracted with load, drive/support arm wheel		kg	1186/1587
Wheels	3.1	Drive/support arm wheels			Vulkollan/Vulkollan
	3.2	Wheel size, front		mm	Ø 215
	3.3	Wheel size, rear		mm	Ø 140x60
	3.4	Additional wheels (dimensions)		mm	Ø 85x75
	3.5	Wheels, number front/rear (x=driven wheels)			1x+2/2
Dimensions	4.1	Tilt of fork, forward/backward	α/β	deg	1,3/1,6
	4.2	Height, mast lowered	h_1	mm	1765
	4.3	Free lift	h_2	mm	1291
	4.4	Lift	h_3	mm	3560
		Lift height	h_{23}	mm	3600
	4.5	Height, mast extended	h_4	mm	4120
	4.8	Stand height (optional platform)	h_7	mm	230
	4.9	Height of tiller in drive position, min./max.	h_{14}	mm	1525/1295
	4.15	Height, fork lowered	h_{13}	mm	40
	4.19	Overall length	l_1	mm	2175
	4.20	Length to face of forks	l_2	mm	1025
	4.21	Overall width	b_1	mm	850
	4.22	Fork dimensions	$s/e/l$	mm	40/100/1150
	4.25	Width over forks, min./max.	b_s	mm	250-620/250-773
	4.31	Ground clearance, with load, below mast	m_1	mm	45
4.34	Aisle width for pallets 800x1200 lengthways	A_{st}	mm	2570	
4.35	Turning radius	W_a	mm	1680	
Performance data	5.1	Travel speed, with/without load		km/h	5,0/6,0
	5.2	Lift speed, with/without load ²⁾		m/s	0,15/0,24
	5.3	Lowering speed, with/without load ²⁾		m/s	0,50/0,40
	5.8	Max. gradeability, with/without load ³⁾		%	10/8
	5.10	Service brake			Electromagnetic
Electric motor	6.1	Drive motor rating S2 60 min		kW	1,4
	6.2	Lift motor rating at S3 20%		kW	3,1
	6.4	Battery voltage/nominal capacity K_s		V/Ah	24/276-300
	6.5	Battery weight		kg	240-300
Others	8.1	Type of drive control			Transistor, stepless

1) Based on Triplex mast; Duplex mast +20 mm

2) Based on Triplex mast

3) Measured according to company standard

All data are based on table configuration. Other configurations may give other values.

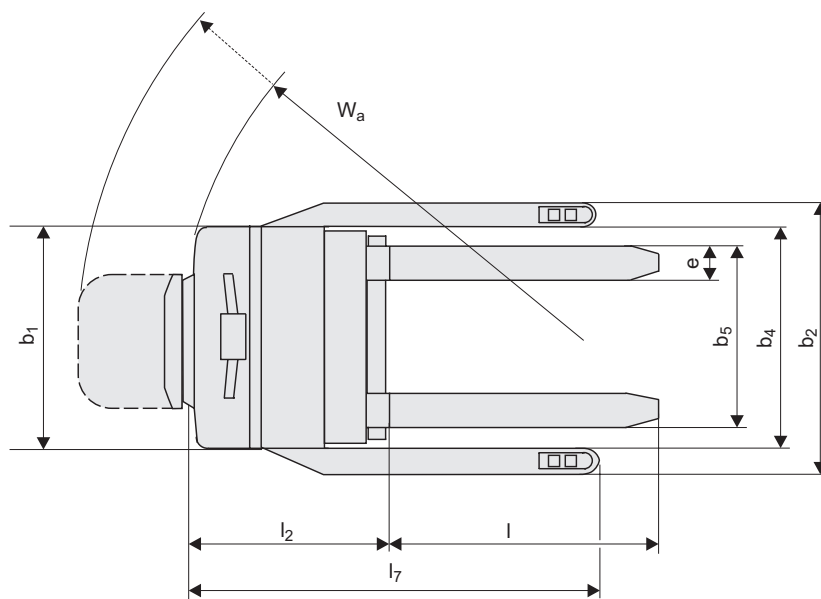
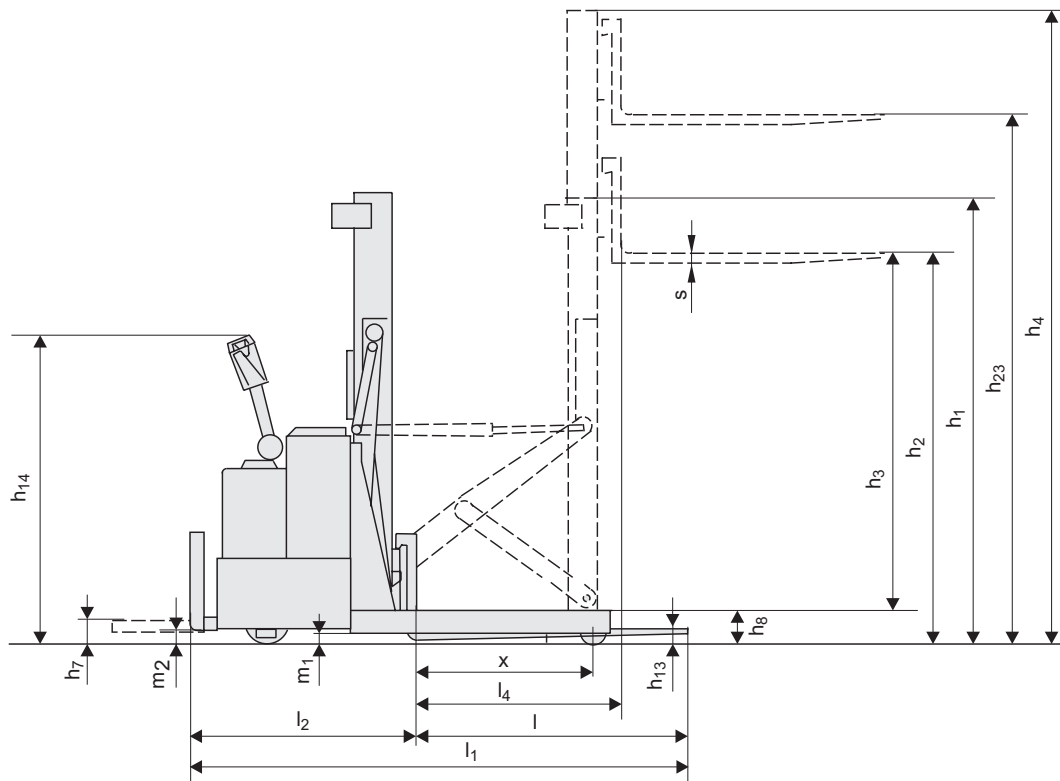
Truck performance and dimensions are nominal and subject to tolerances.

Toyota Material Handling Manufacturing Sweden AB products and specifications are subject to change without notice.

Mast dimensions

BT staxio

RWE120			Duplex Tele			Duplex HiLo					Triplex HiLo				
h_{23}	Lift height ($h_{13}+h_3$)	mm	2400	2800	3350	2400	2900	3350	3750	4150	3600	3750	4150	4500	4800
h_3	Lift	mm	2360	2760	3310	2360	2860	3310	3710	4110	3560	3710	4110	4460	4760
h_1	Height, mast lowered	mm	1737	1937	2212	1737	1987	2212	2422	2622	2765	1830	1948	2065	2165
h_2	Free lift, ground to top of forks	mm	—	—	—	1268	1518	1743	1943	2143	1291	1341	1476	1592	1692
h_4	Height, mast extended	mm	2917	3317	3867	2917	3417	3867	4277	4677	4120	4270	4670	5021	5321



Truck features:

- Choice of chassis widths
- Tilting mast
- Fingertip controls
- Tiller arm steering
- 180° steering
- Flip-down driver platform
- Clear-view mast
- Load support
- Emergency cut-off



TP-Technical Publications, Sweden — 746100-040, version 2, 1110

TOYOTA
